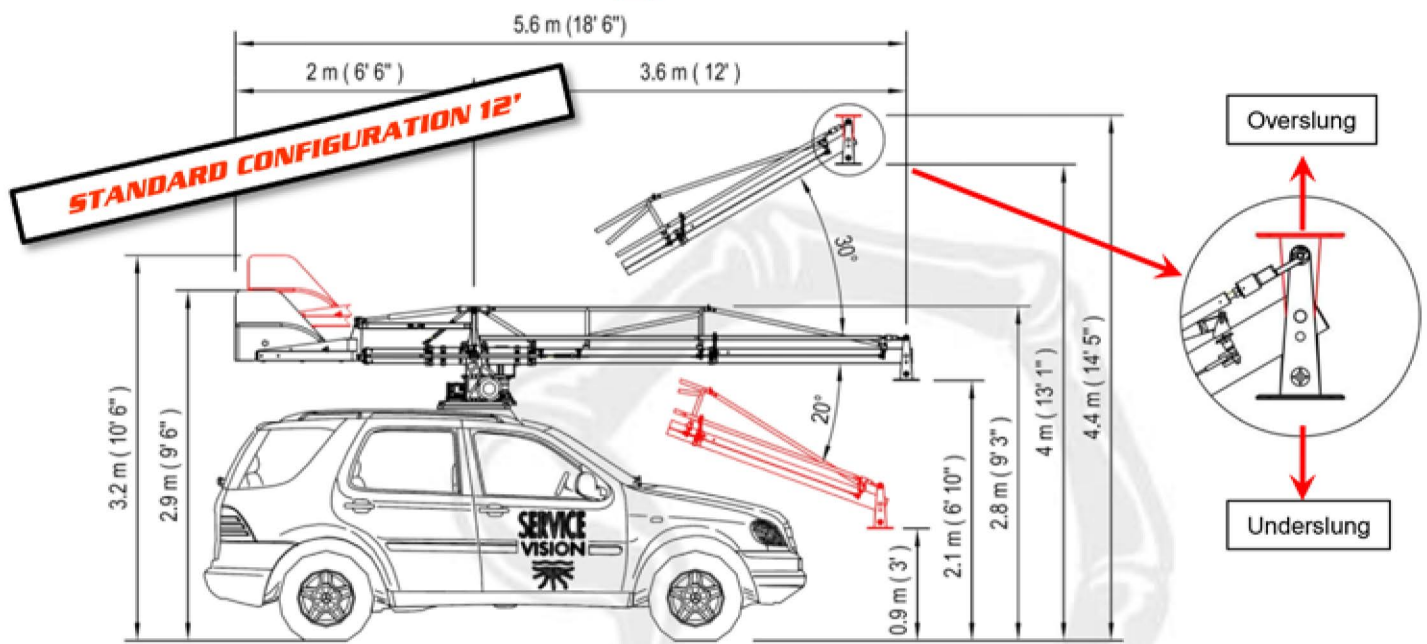
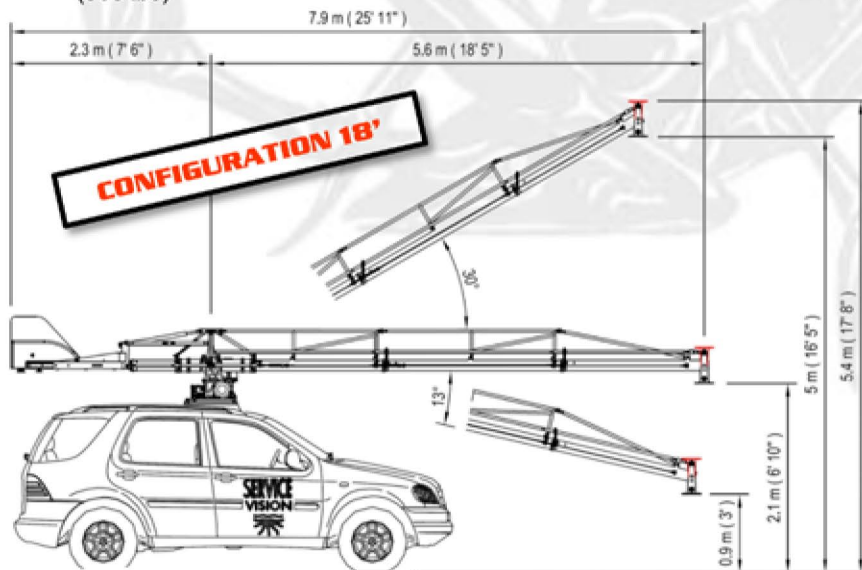
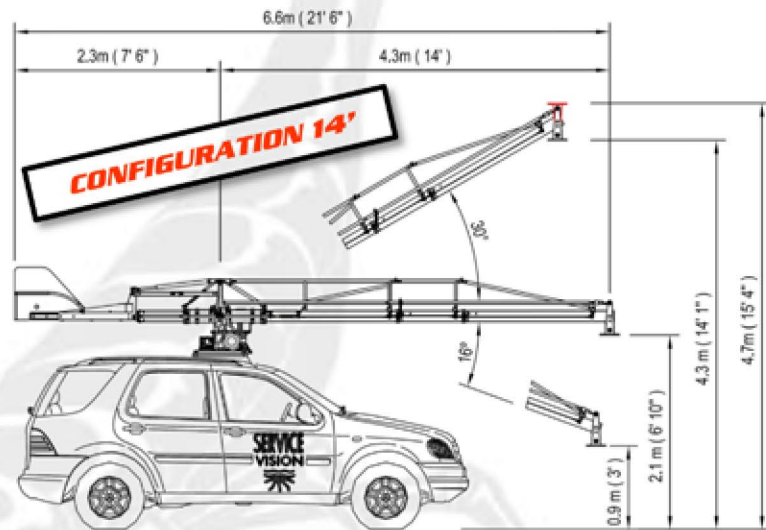


Scorpio Arm



Features:

- Gyro stabilization in the TILT axis.
- Available different arm configurations: 12', 14', 18'.
- Waterproof.
- Limits, speed and damping control are available from the control desk.
- Controlled from joystick situated inside the car.
- Send the position of each axis constantly like a Motion Capture.
- Record and repeat all movements of each axis like a Motion Control.
- Go to a fixed position with switch for safety purposes.
- PAN and TILT motors are the same.
- Powered by 36V batteries.
- PAN speed: 5.5 s/rev
- Maximum Payload: 70kg (154 lbs).
- Max. Weight with maximum payload and standard configuration (12'): 365kg (805 lbs).
- Total weight without payload and counterweight (12'): 175kg (385 lbs)



Contact Us

Scorpio Ops

Beau Sevastos

M +61 (0)418 242 155

E beau@scorpio-ops.com